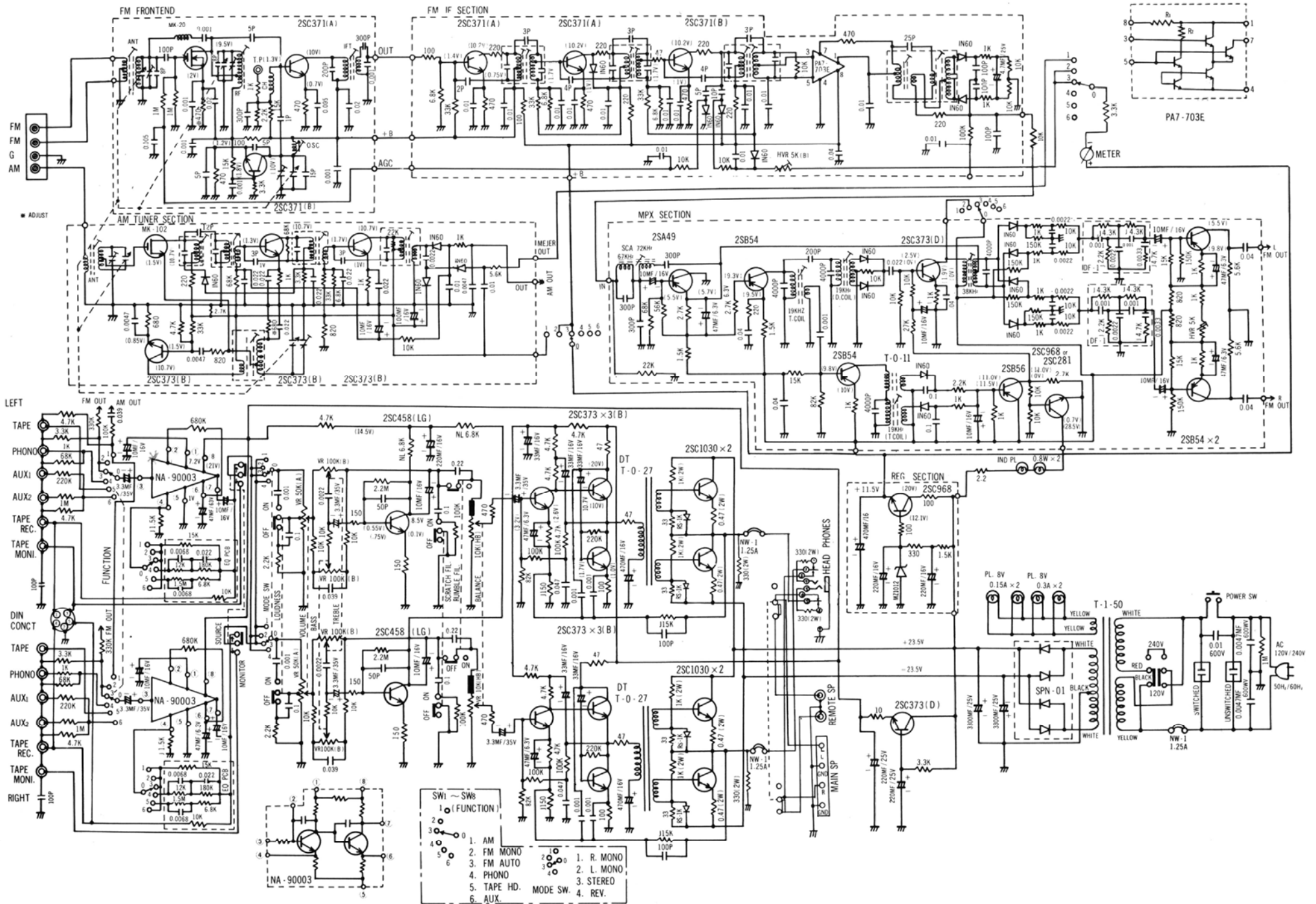


SCHEMATIC DIAGRAM STA-501S



PA7-703E

METER

ADJUST

LEFT

DIN CONCT

RIGHT

- SW 1 SW6
1. AM
2. FM MONO
3. FM AUTO
4. PHONO
5. TAPE HD.
6. AUX.
- MODE SW
1. R. MONO
2. L. MONO
3. STEREO
4. REV.

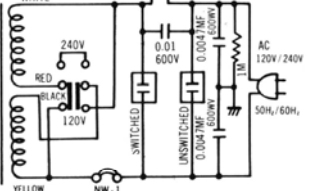
NA-90003

PL 8V
0.15A x 2

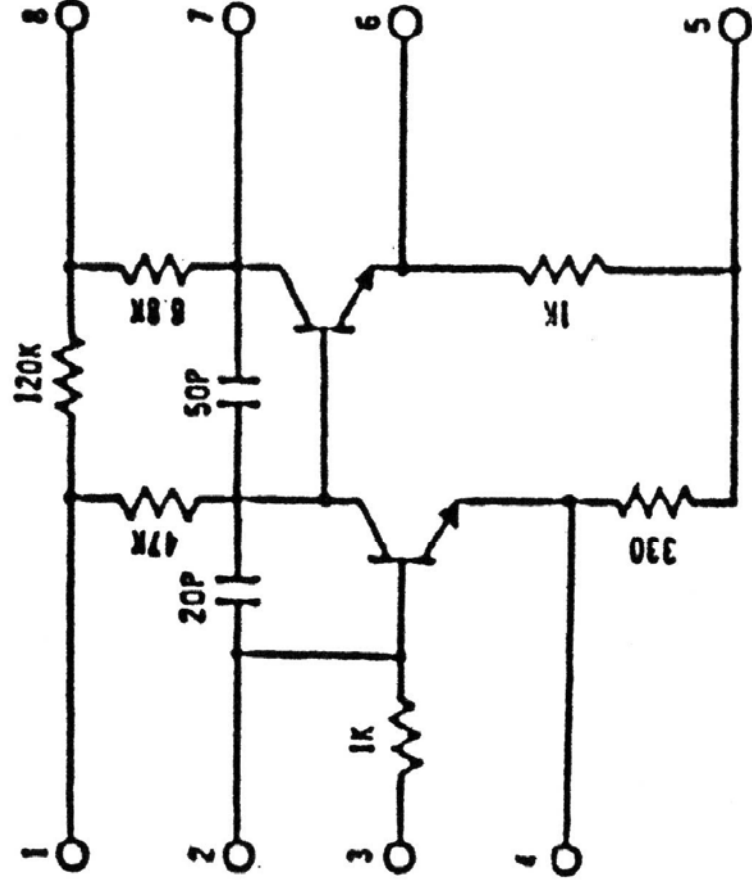
PL 8V
0.3A x 2

T-1-50

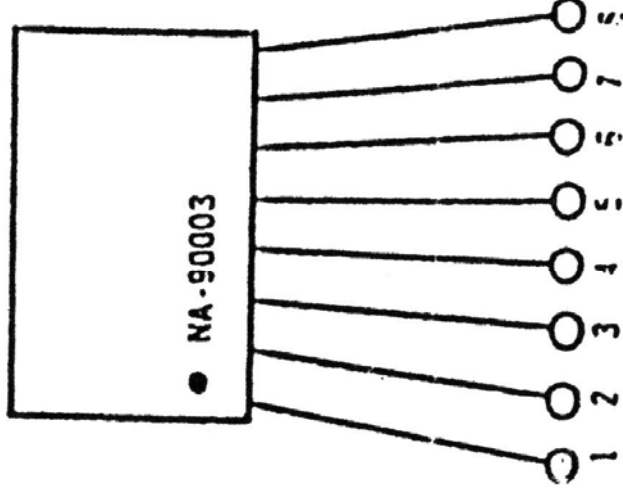
POWER SW



SCHEMATIC DIAGRAM



CONNECTION DIAGRAM



PARTS LIST

Q-1, 2	2SC 1845	R-4	1k ohm $\frac{1}{2}$ watt
C-1	20 PF/50 V.D.C. Ceramic	R-5	1k ohm $\frac{1}{2}$ watt
C-2	50 PF/50 V.D.C. Ceramic	R-6	330 ohm $\frac{1}{2}$ watt
R-1	120k ohm $\frac{1}{2}$ watt		
R-2	47k ohm $\frac{1}{2}$ watt		
R-3	6.8k ohm $\frac{1}{2}$ watt		